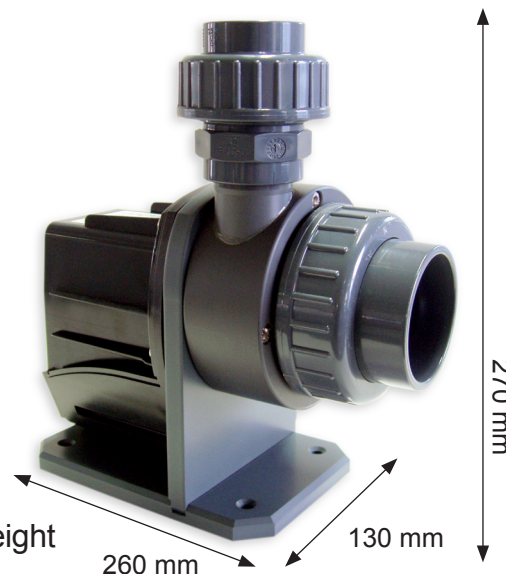


Data sheet and power curve for flow pump

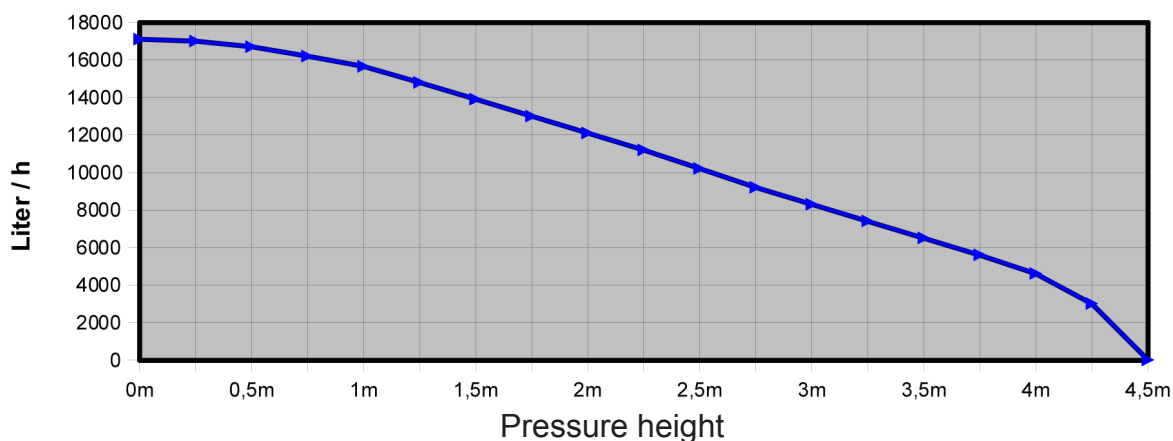
Red-Dragon pump 17m³ VS08 **Product no.: 106/08** **Version 2008** **1080,00 €**

Technical data Red-Dragon pump 17m³:

Performance: 17.000 liter / h
Cable length: 3,0 meter (also available in 10m)
Pressure side: Ø 40 mm
Intake side: Ø 63 mm
Wattage: max. 155 watt
Pressure height: max. 4,5 meter
Material/color: PVC grey with screw connection
Operating voltage: 230 Volt 50 Hz (available in 110V/60 Hz)
Protection class: IP 68 (submersible pump)
Weight: 5,0 kg
Height of intake side: center 135 mm
Dimension: 130 mm wide / 260 mm length / ~ 270 mm height



Power curve



For more information, see on the net at www.royal-exclusiv.de. Simply enter the part number or name into the search box or email to: info@royal-exclusiv.de.

All information without guarantee. We try our best, but printing errors reserved.

Red-Dragon pump 17m³ VS08 **Product no.: 106/08** **Version 2008** **1080,00 €**

list of spare parts	Product.no. (110V)	(230V)	Price
complete rotor for Red-Dragon 17m ³ (ceramic)	106/1-7	106/2-7	192,00 €
part motor-block	136/1	136/2	320,00 €
carbon - bearing for 6mm shaft (inside the motorblock)	155	155	6,50 €
pump-head PVC grey with screw connection	165-17/B	165-17/B	208,00 €
pump-holder PVC grey	150	150	95,00 €
silicon O - ring 90 x 2,5mm for pump-heads	169	169	5,10 €
perbunan O - ring 82 x 4mm for motor-block	170	170	4,45 €
rubber feet set = 4 pieces	180	180	4,00 €
V4A screws 6 x 22 mm for motor-block	182-1	182-1	3,70 €
V4A screws 4 x 16 mm for pump-head	182	182	7,70 €
screw connection complete 40mm (also separately)	175-40 inch	175-40 metric	6,46 €
screw connection complete 63mm (also separately)	175-63 inch	175-63 metric	10,59 €

accessories	Product.no. (110V)	(230V)	Price
cable length 10 meter	-	20-2	35,29 €
titan-screws 6 x 50 mm for pump-head set = 4 pieces	183	183	25,60 €
titan-screws 6 x 22 mm for motor-block set = 4 pieces	183-1	183-1	11,70 €
silicon anti-vibration internal	119-40	119-40	38,00 €
complete rotor for Red-Dragon 17m ³ (metal)	106/1-7M	106/2-7M	256,00 €

accessories



cable length 10 meter
20 230V 35,29 €

For more information, see on the net at www.royal-exclusiv.de. Simply enter the part number or name into the search box or email to: info@royal-exclusiv.de.

All information without guarantee. We try our best, but printing errors reserved.

Red-Dragon pump 17m³ VS08 Product no.: 106/08 Version 2008 **1080,00 €**

<p>spare parts</p>	<p>spare parts</p>	<p>spare parts</p>	<p>spare parts</p>
			
<p>complete rotor for Red-Dragon 17m³ (ceramic) 106/x-7 192,00 €</p>	<p>part motor-block 136/x 320,00 €</p>	<p>carbon - bearing for 6mm shaft (inside the motorblock) 155 6,50 €</p>	<p>pump-head PVC grey with screw connection 165-17/B 208,00 €</p>
<p>spare parts</p>	<p>spare parts</p>	<p>spare parts</p>	<p>spare parts</p>
			
<p>pump-holder PVC grey 150 95,00 €</p>	<p>silicon O - ring 90 x 2,5mm for pump-heads 169 5,10 €</p>	<p>perbunan O - ring 82 x 4mm for motor-block 170 4,45 €</p>	<p>rubber feet set = 4 pieces 180 4,00 €</p>
<p>spare parts</p>	<p>spare parts</p>	<p>spare parts</p>	<p>spare parts</p>
			
<p>V4A screws 6 x 22 mm for motor-block 182-1 3,70 €</p>	<p>V4A screws 4 x 16 mm for pump-head 182 7,70 €</p>	<p>screw connection complete 40mm 175-40 inch/metric 6,46 €</p>	<p>screw connection complete 63mm 175-63 inch/metric 10,59 €</p>
<p>accessories</p>	<p>accessories</p>	<p>accessories</p>	<p>accessories</p>
			
<p>titan-screws 6 x 50 mm for pump-head set = 4 pieces 183 25,60 €</p>	<p>titan-screws 6 x 22 mm for motor-block set = 4 pieces 183-1 11,70 €</p>	<p>silicon anti-vibration internal 119-40 38,00 €</p>	<p>complete rotor for Red-Dragon 17m³ (metal) 106/x-7M 256,00 €</p>

For more information, see on the net at www.royal-exclusiv.de. Simply enter the part number or name into the search box or email to: info@royal-exclusiv.de.

All information without guarantee. We try our best, but printing errors reserved.